

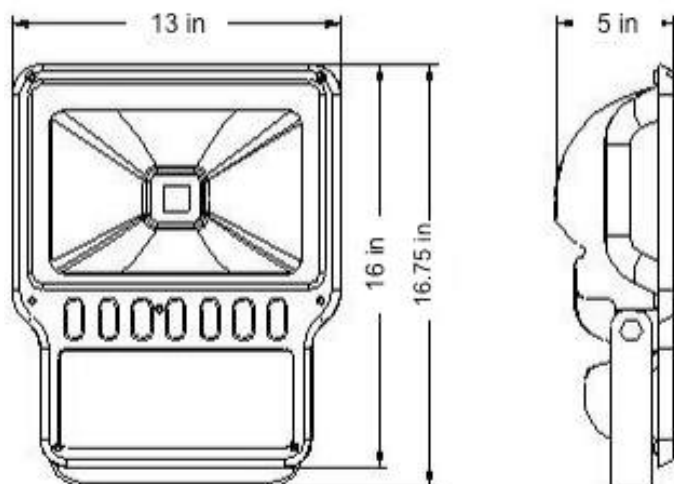


## BOSS 150W LED FLOOD FIXTURE

- Replaces 400W HID Fixture
- Trunion Mount (Optional Slip Fit)
- SOW Cord
- Heavy Duty Grey Powder Coating



Part #	MLFL20-150WLED
Lamp Power (W)	150
Input Voltage (V)	120 - 277
CRI (Ra>)	80
IP Rating	IP65
Color Temperature (K)	5,000
Working Lifetime	50,000 Hours
Power Supply	Meanwell Driver
LED Light Source	Samsung
Weight	10 kg



BOSS Electrical Products  
are distributed by  
ESCOM Electrical Distributors.

Contact **ESCOM** with any product  
or pricing requests you may have.

**Phone: 780-955-3726**  
**(Order Desk)**

[www.escomelectrical.com](http://www.escomelectrical.com)

[www.bossep.com](http://www.bossep.com)